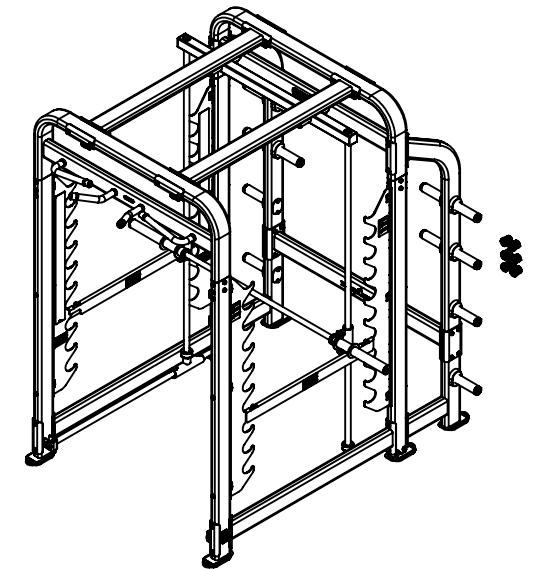
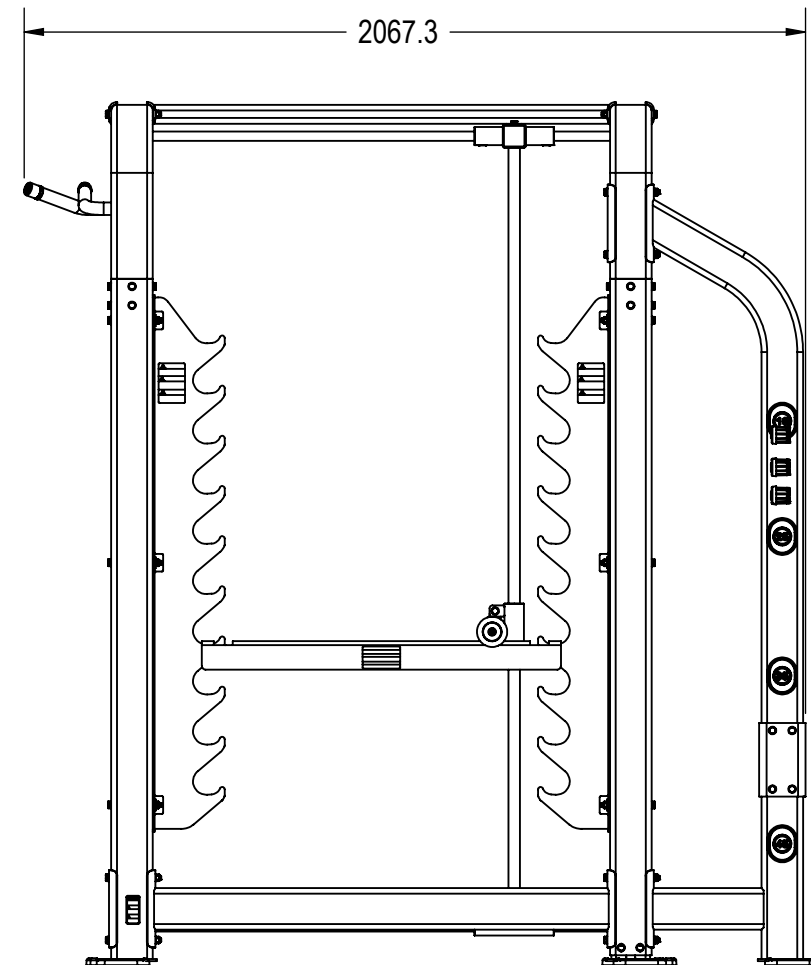
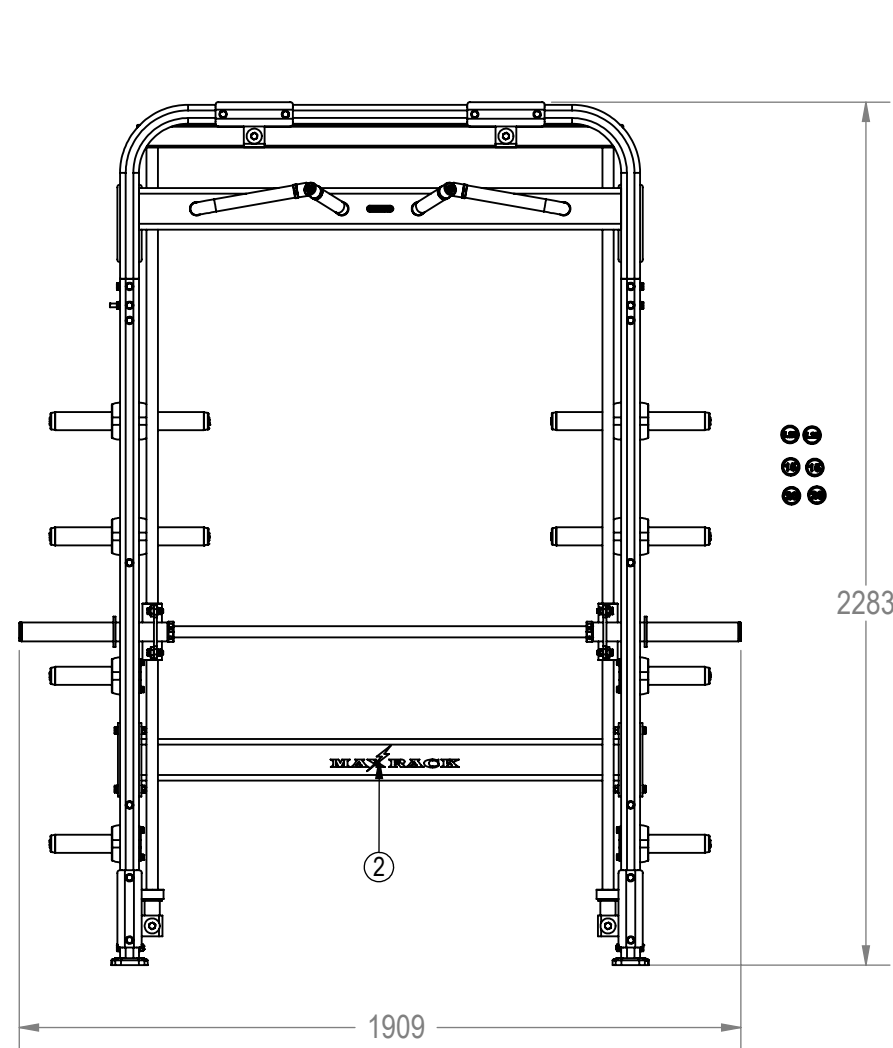


REVISION HISTORY				
REV	DATE	DESCRIPTION	ECO	BY
A	11/03/2010	RELEASE FOR PRODUCTION	13428	RLH
B	10/3/2012	CHANGE WIGHT STORAGE ENDS	13867	RLH



NOTICE OF PROPRIETARY INFORMATION  
 THIS DOCUMENT SHALL NOT BE REPRODUCED NOR  
 SHALL THE INFORMATION CONTAINED HEREIN BE USED  
 BY OR DISCLOSED TO OTHER EXCEPT AS EXPRESSLY  
 AUTHORIZED BY UNISEN INC, D.B.A. STAR TRAC.

**DOCUMENT STATUS:  
 ECO**

NOTES:

CLASS OF WORK	UNLESS OTHERWISE SPECIFIED DIMS ARE IN mm. TOLERANCES FOR MEASURE OF LENGTH ARE:							ANGLES = ±2°	MATERIAL
	0.5 to 3	> 3 to 6	> 6 to 30	> 30 to 120	> 120 to 400	> 400 to 1000	> 1000 to 2000		
FINE	±0.05	±0.05	±0.1	±0.15	±0.2	±0.3	±0.5	----	FINISH
MEDIUM X	±0.1	±0.1	±0.2	±0.3	±0.5	±0.8	±1.2	±2	
COARSE	±0.2	±0.3	±0.5	±0.8	±1.2	±2	±3	±4	
VERY COARSE	----	±0.5	±1	±1.5	±2.5	±4	±6	±8	

VENDOR:

P/N:

THIRD ANGLE PROJECTION



DRAWN	INITIAL RLH	DATE 11/01/2010
CHECKED		
APPROVED		

U.O.M.

MM

UNISEN, INC. DBA



14410 Myford Road  
 Irvine CA 92606

STARTRAC PART NO

**IP-L8505-XXXXS**

REV

**B**

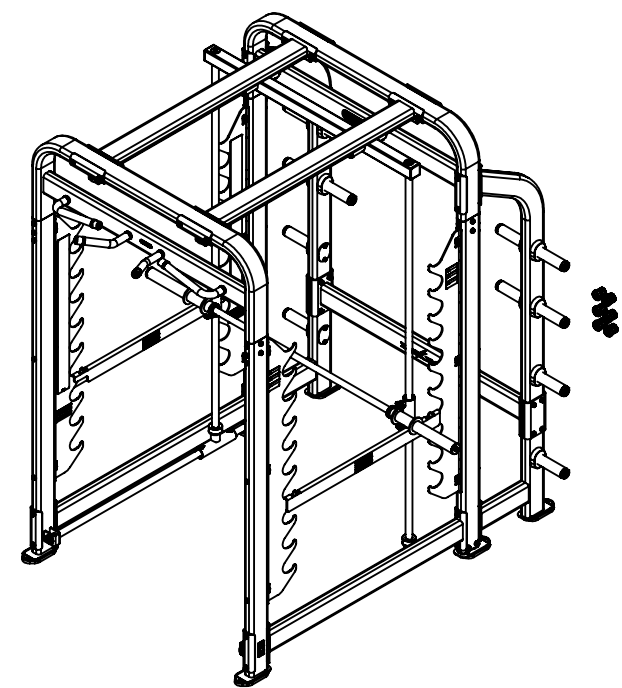
TITLE  
**L,MAX-RACK**

SCALE: 1:20

SHEET 1 OF 14

SHEET SIZE: B

9				8				7				6				5				4				3				2				1			
		ITEM NO.	PART NUMBER	DESCRIPTION				QTY.			ITEM NO.	PART NUMBER	DESCRIPTION				QTY.																		
J		1	050-1975	LABEL,SAFETY CATCH				8		46	731-2393	GUIDE ROD,VERTICAL,MAX RACK				2														J					
		2	050-1977	STICKER,NAME,MAX RACK				1		47	731-2394	BUMPER,ROUND,FREEDOM RACK				2															I				
	(B)	3	130-1778	COLLAR, 30MM ID				2		48	731-2395	SPACER,GUIDE ROD,25MM,MAX RACK				4															H				
		4	731-0021	SHOE, 75X147.7				6		49	731-2396	WASHER,ID10.4,OD40,BZ				10															G				
I		5	731-0335	STICKER, MADE IN CHINA, IP				1		50	731-2397	SPACER,GUIDE ROD,30MM,FREEDOM RACK				4															F				
		6	731-0355	WASHER,PLAIN,M8,NARROW				32		51	731-2398	SCREW,M10X1.5,140MM,HHC,HE,CS,BZ				20																E			
		7	731-0363	NUT,M10X1.5,NYLOC				48		52	731-2399	SCREW,M10X1.0,35MM,HHC,HE,CS,BZ				4																D			
		8	731-0365	NUT,M8 X 1.25,NYLOC JAM				16		53	731-2400	SCREW,M10X1.5,80MM,HHC,HE,CS,BZ				8																C			
		9	731-0367	WASHER,PLAIN,M10				104		54	731-2410	ASSY,OLY BAR,FREEDOM RACK				1																B			
H		10	731-0397	SCREW,M8 X 1.25,25mm,FHM,HK				4		55	731-2411	STICKER,WORKOUT 1,MAX RACK				1																	A		
		11	731-0512	STICKER,WARNING,PINCH				4		56	731-2412	STICKER,WORKOUT 2,MAX RACK				1																			
		12	731-0513	STICKER,STAR TRAC,DECO,45MMX191MM				1		57	731-2413	STICKER,WORKOUT 3,MAX RACK				1																			
		13	731-0517	STICKER, WARNING, BOLT DOWN				2		58	731-2414	STICKER,WORKOUT 4,MAX RACK				1																			
		14	731-1456-01	PLATE,MOUNT,WGT HOLDER,BLANK				4		59	731-2415	Screw,M10x1.5, 65mm, HHC, HE, CS, BZ				4																			
G		15	731-1785	SCREW,SET,M4X.7,4MM				16		60	731-2416	STICKER,STARTRAC,70MM,DECO				1																			
		16	731-1904	END CAP				4		61	731-2417	STICKER,WARNING,DO NOT OVERLOAD				4																			
		17	731-1905	GRIP,PULL UP, OUTER				2		62	731-2418	STICKER, SERIAL NUMBER, MAX RACK				1																			
		18	731-1906	GRIP,PULL UP INNER				2		(B) 63	731-5248	WELD, WGT HOLDER, 25LB				4																			
		19	731-1917	TRIM RING,GRIP				8		(B) 64	731-5251-XX	PLATE,MOUNT,WGT HOLDER				4																			
F		20	731-2315	BRKT,MOUNT,MAX RACK				8		(B) 65	731-5256	WELD,WEIGHT HORN,SINGLE				4																			
		21	731-2317-XX	WELD,TUBE,BRACE,FREEDOM RACK				4		(B) 66	731-5259	BUMPER,STOP,WGT				12																			
		22	731-2322-XX	WELD,UPPER,FREEDOM RACK				1		(B) 67	731-5260	CAP,PLUG,WEIGHT HORN,45				2																			
		23	731-2325-XX	WELD,UPRIGHT,SIDE,MAX RACK				2		(B) 68	731-5261	CAP,PLUG,WEIGHT HORN,35				2																			
		24	731-2328-XX	WELD,FOOT,MAX RACK				1		(B) 69	731-5262	CAP,PLUG,WEIGHT HORN,25				2																			
E		25	731-2331	WELD,HOOKS,MAX RACK				4		(B) 70	731-5263	CAP,PLUG,WEIGHT HORN,20				2																			
		26	731-2332-XX	WELD,FOOT,MAX RACK,RH				1		(B) 71	731-5264	CAP,PLUG,WEIGHT HORN,15				2																			
		27	731-2333	SCREW,M10X1.5,25MM,HHC,HE,CS,BZ				30		(B) 72	731-5265	CAP,PLUG,WEIGHT HORN,10				2																			
		28	731-2334	SCREW,M10X1.0,135mm,HHC,HE,CS,BZ				12		(B) 73	731-5266	CAP,PLUG,WEIGHT HORN,5				2																			
D		29	731-2337	WELD,SAFETY HOOK,MAX RACK				2		(B) 74	731-5267	CAP,PLUG,WEIGHT HORN,2.5				2																			
		30	731-2339-XX	WELD,UPRIGHT,FRONT,MAX RACK				1		(B) 75	731-5268	CAP,PLUG,WEIGHT HORN,1.25				2																			
		31	731-2344-XX	WELD,CROSS SUPPORT,FRONT,MAX RACK				1																											
		32	731-2345-XX	WELD,UPRIGHT,FRONT,MAX RACK,RH				1																											
		33	731-2346	WASHER,M10,FENDER,BZ				12																											
C		34	731-2349-XX	WELD,BEARING SUPPORT, TOP,MAX RACK				1																											
		35	731-2350	BEARING,LINEAR,25MM SHAFT,40MM OD				4																											
		36	731-2351	RETAINING,INNER,40MM				4																											
		37	731-2352	CAP,END.60MM X 60MM				2																											
		38	731-2355-XX	WELD,WGT HOLDER,FREEDOM RACK				2																											
B		39	731-2356	SCREW,M8X1.25,70MM,HHC,HE,CS,BZ				16																											
		40	731-2377-XX	BRKT,MOUNT,MAX RACK				2																											
		41	731-2379-XX	WELD,CROSS BRACE,BACK,MAX RACK				1																											
		42	731-2385-XX	ASSY,BEARING HOUSING,30MM, FREEDOM RACK				2																											
		43	731-2390	ASSY,HOLDER,UPRIGHT ROD,FREEDOM RACK				2																											
A		44	731-2391	GUIDE RODE,LOWER,MAX RACK				2																											
		45	731-2392	GUIDE ROD,UPPER,FREEDOM RACK				2																											

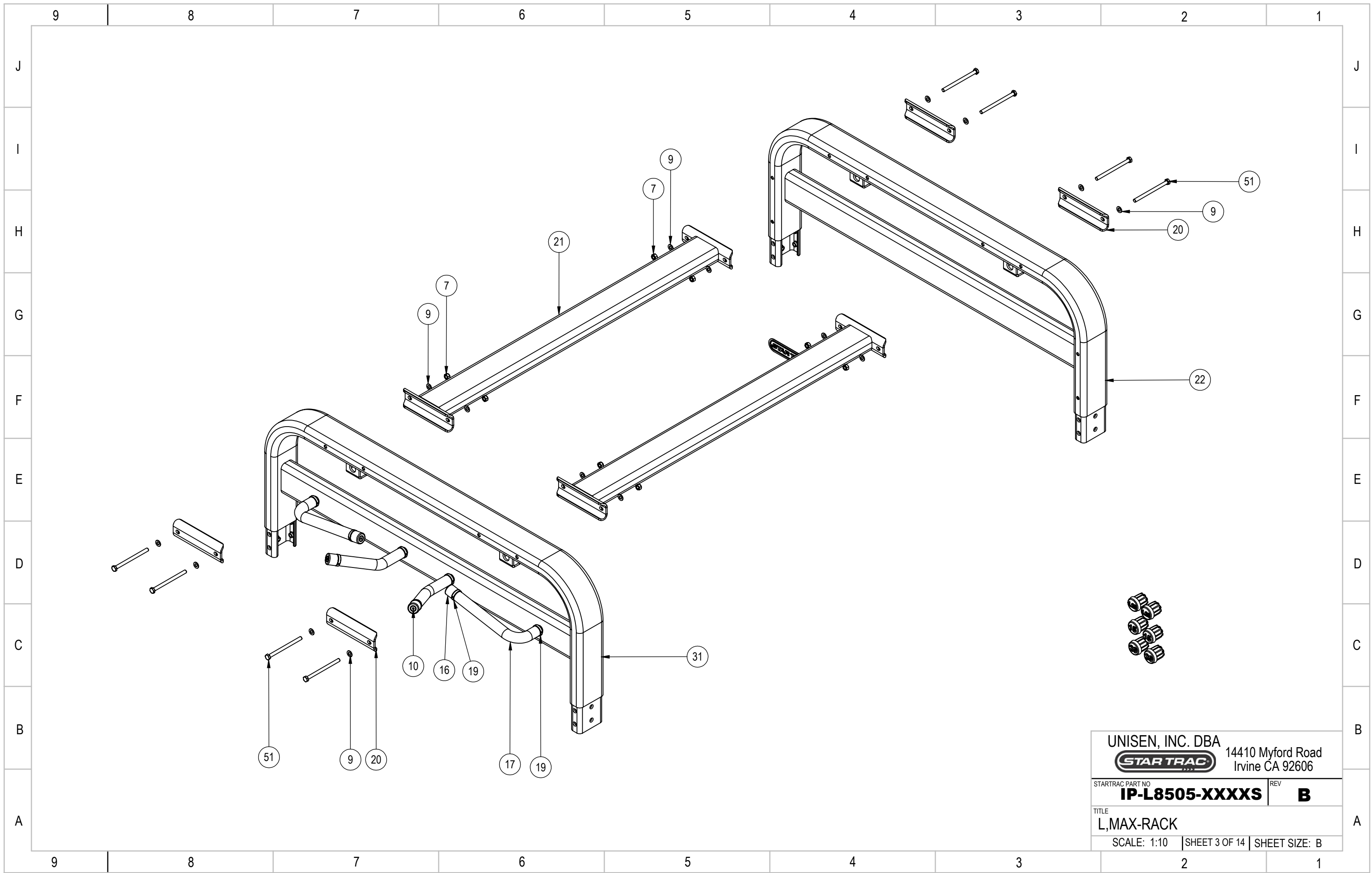


UNISEN, INC. DBA  
**STARTRAC** 14410 Myford Road  
Irvine CA 92606

STARTRAC PART NO  
**IP-L8505-XXXXS** | REV **B**

TITLE  
**L,MAX-RACK**

SCALE: 1:33.3 | SHEET 2 OF 14 | SHEET SIZE: B

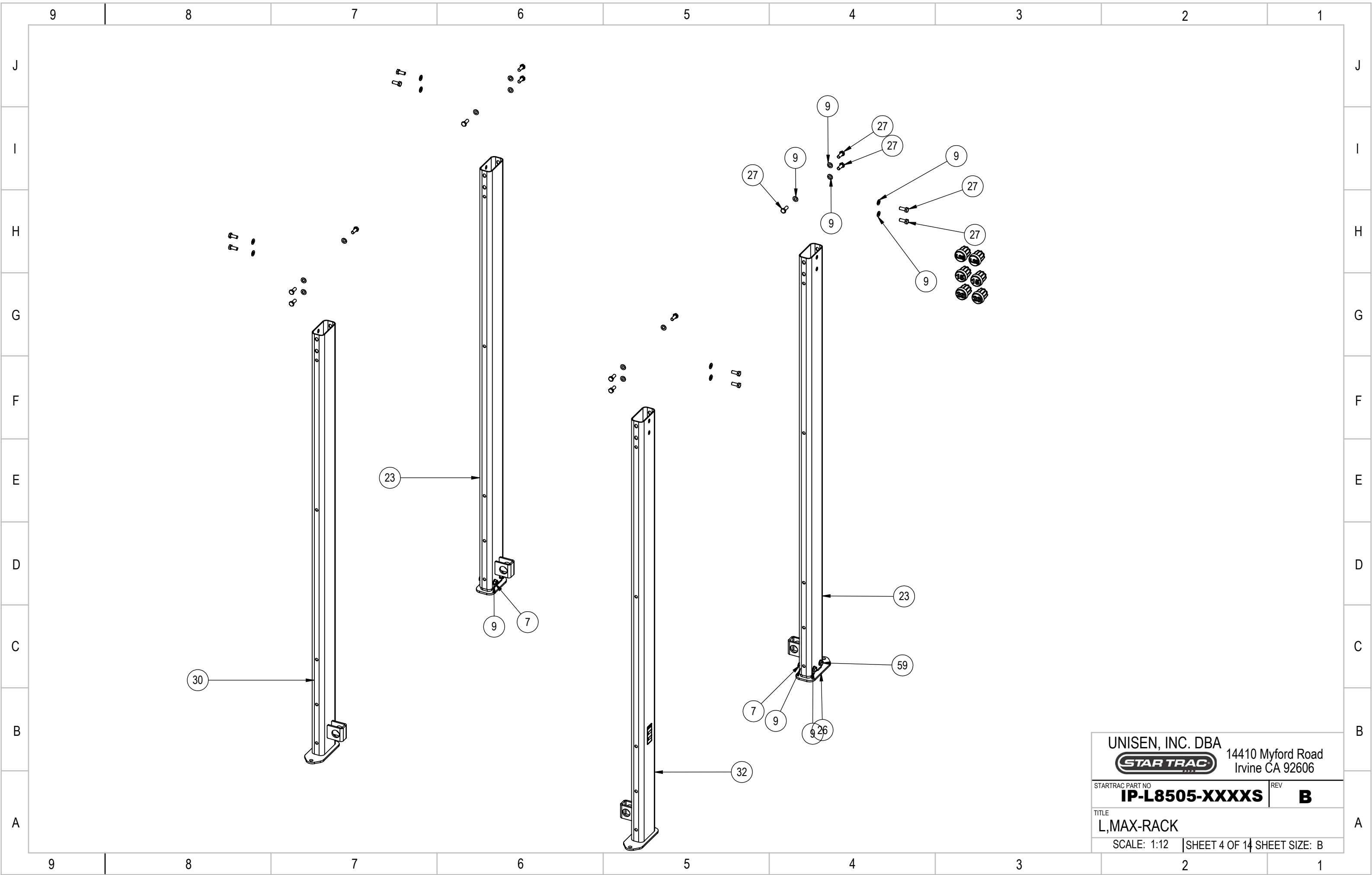


UNISEN, INC. DBA  
**STARTRAC** 14410 Myford Road  
 Irvine CA 92606

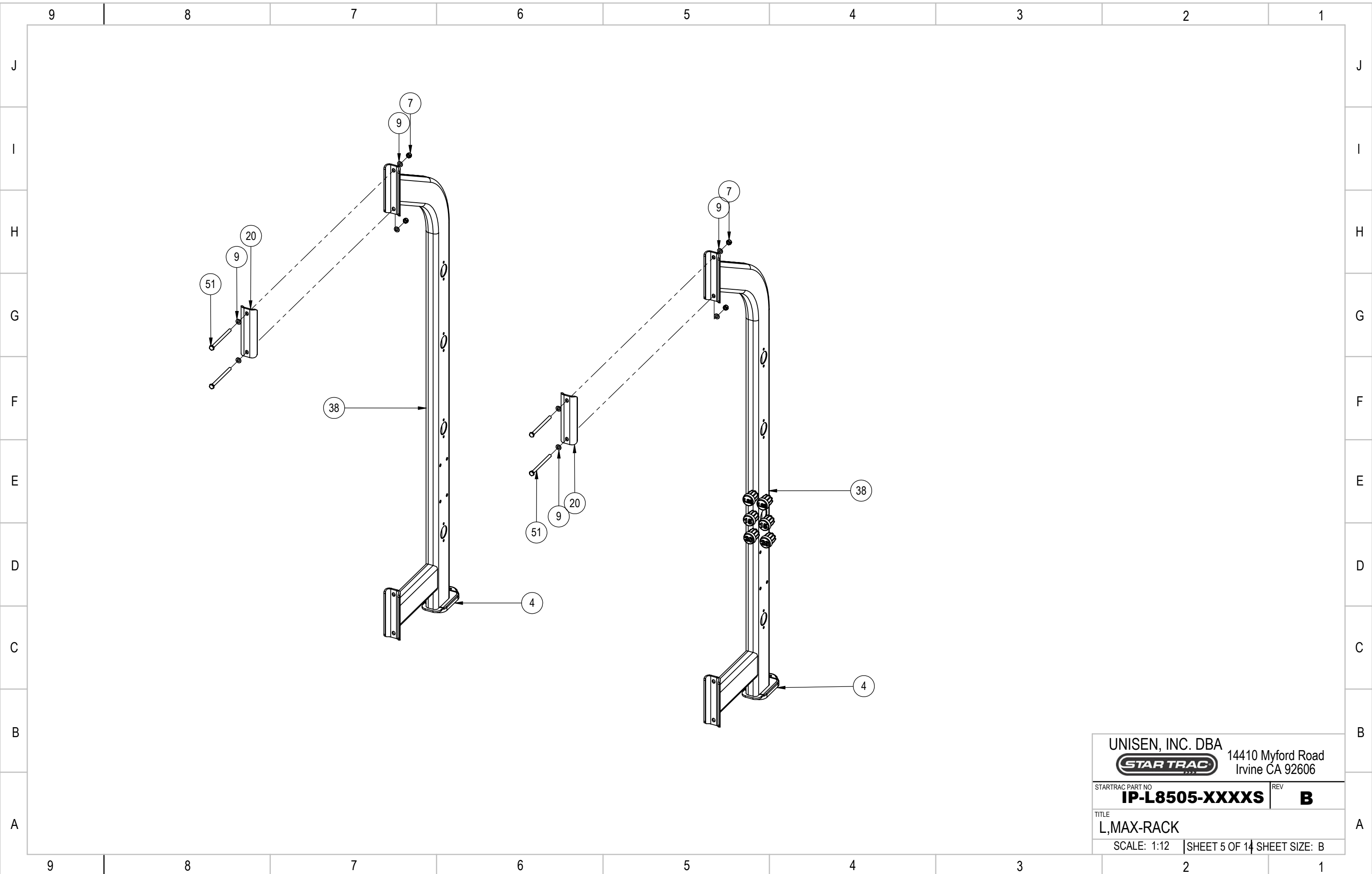
STARTRAC PART NO. **IP-L8505-XXXXS** REV **B**

TITLE  
**L,MAX-RACK**

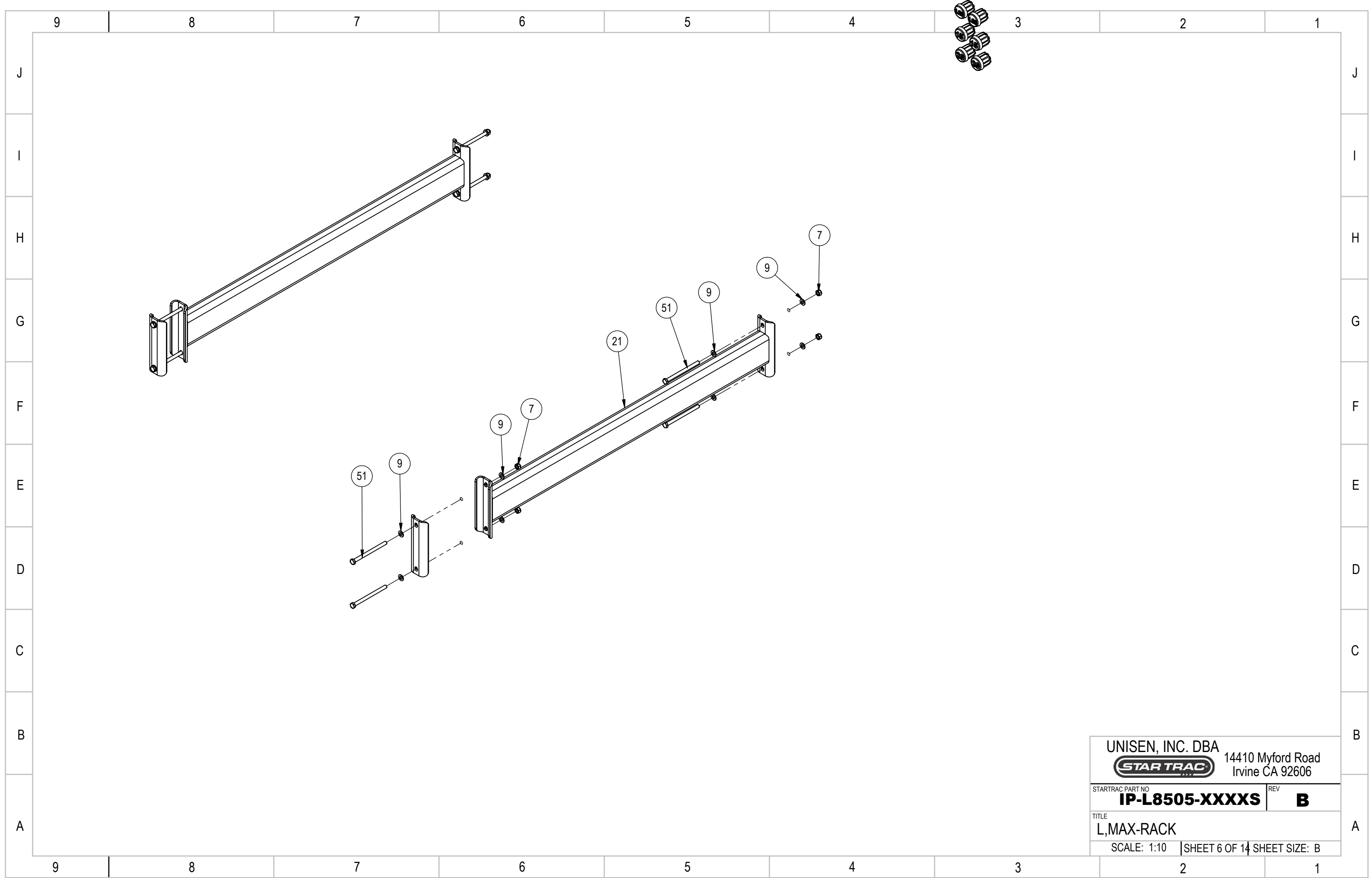
SCALE: 1:10 | SHEET 3 OF 14 | SHEET SIZE: B



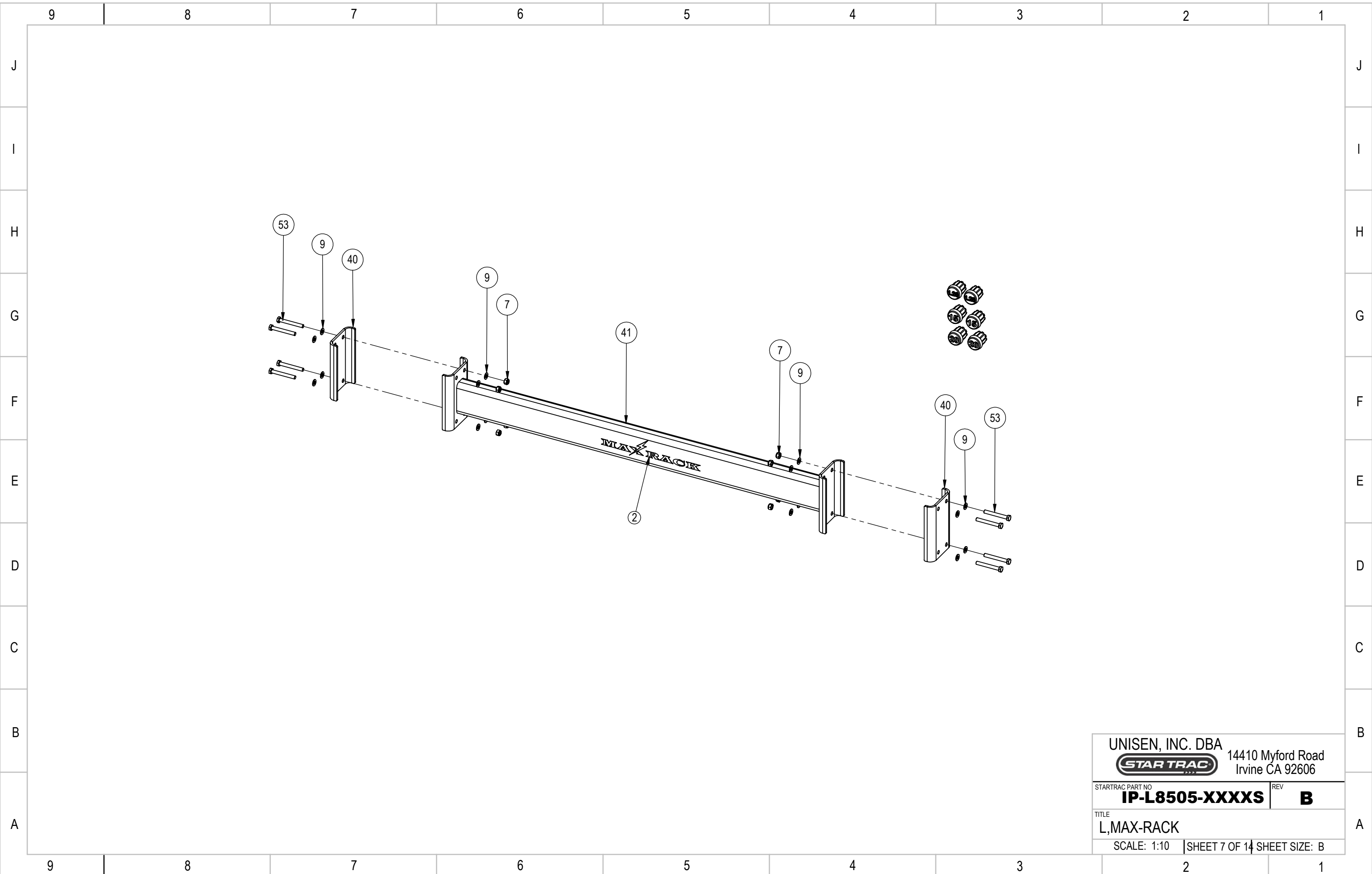
UNISEN, INC. DBA		14410 Myford Road	
<b>STAR TRAC</b>		Irvine CA 92606	
STARTRAC PART NO	<b>IP-L8505-XXXXS</b>	REV	<b>B</b>
TITLE <b>L,MAX-RACK</b>			
SCALE: 1:12	SHEET 4 OF 14		SHEET SIZE: B



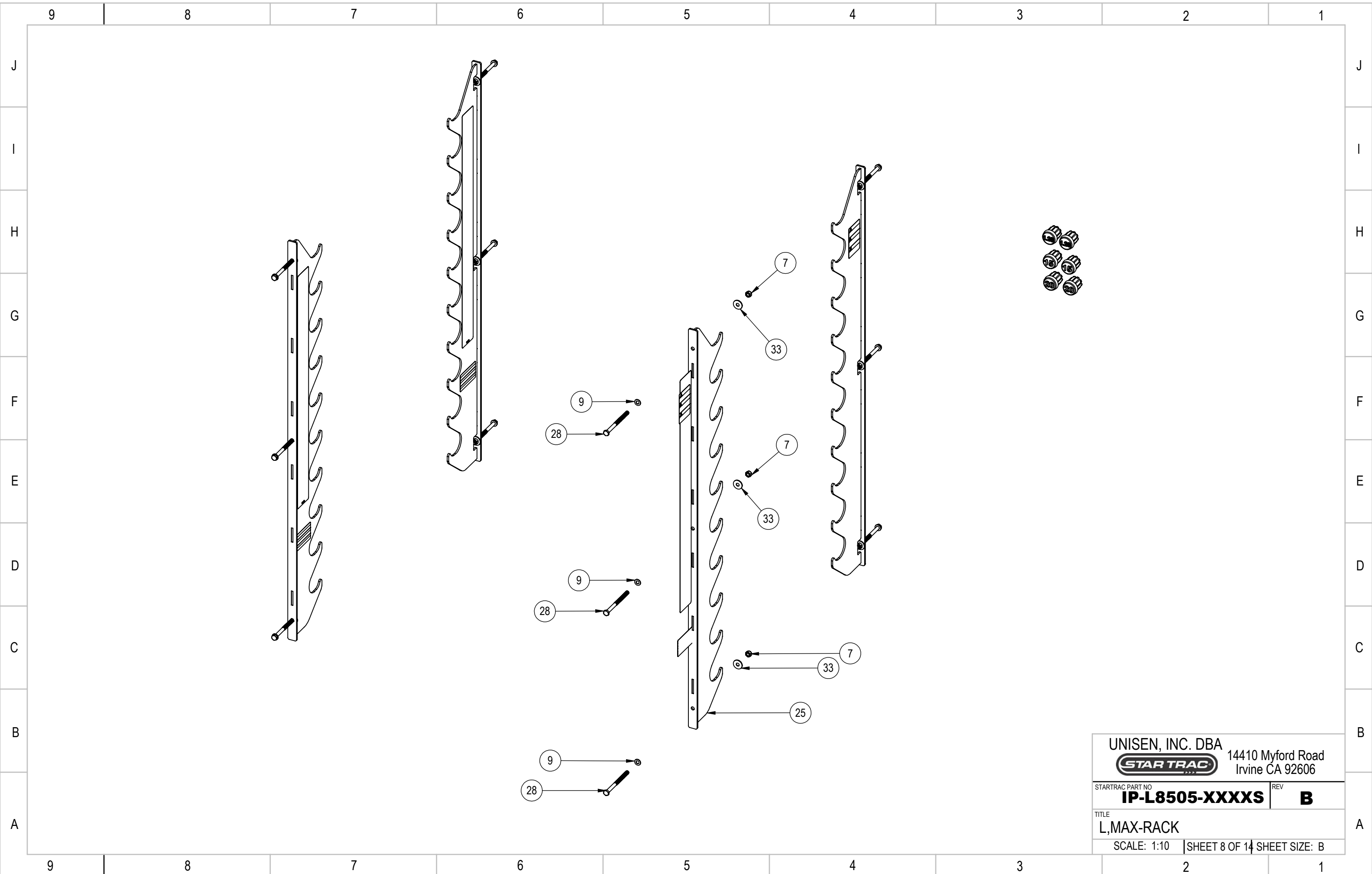
UNISEN, INC. DBA		14410 Myford Road Irvine CA 92606	
<b>STAR TRAC</b>			
STARTRAC PART NO	<b>IP-L8505-XXXXS</b>		REV <b>B</b>
TITLE <b>L,MAX-RACK</b>			
SCALE: 1:12		SHEET 5 OF 14 SHEET SIZE: B	




UNISEN, INC. DBA		14410 Myford Road Irvine CA 92606	
<b>STAR TRAC</b>			
STARTRAC PART NO	<b>IP-L8505-XXXXS</b>	REV	<b>B</b>
TITLE <b>L,MAX-RACK</b>			
SCALE: 1:10	SHEET 6 OF 14	SHEET SIZE: B	

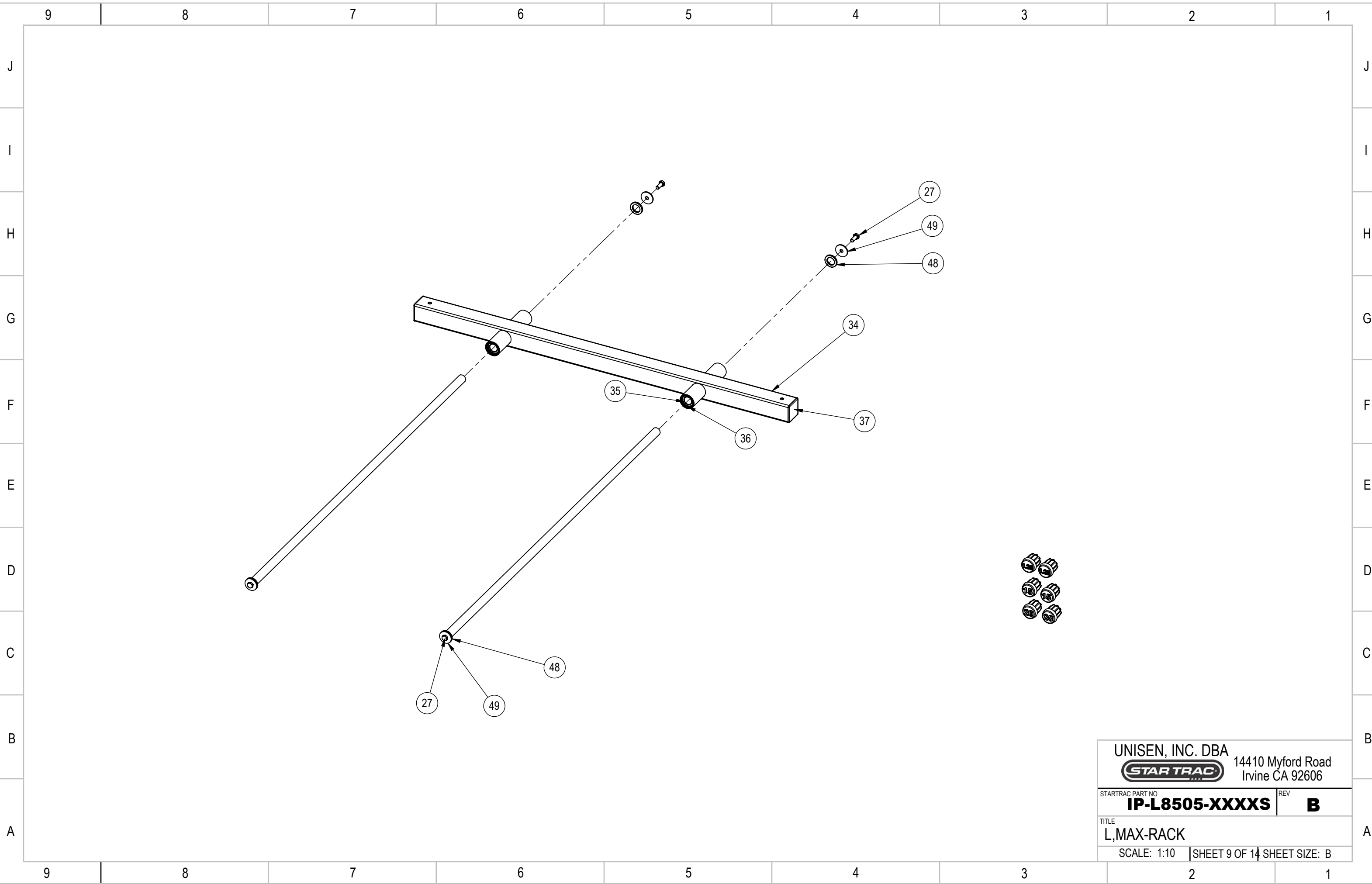


UNISEN, INC. DBA		14410 Myford Road Irvine CA 92606	
<b>STARTRAC</b>			
STARTRAC PART NO	<b>IP-L8505-XXXXS</b>	REV	<b>B</b>
TITLE <b>L,MAX-RACK</b>			
SCALE: 1:10	SHEET 7 OF 14		SHEET SIZE: B

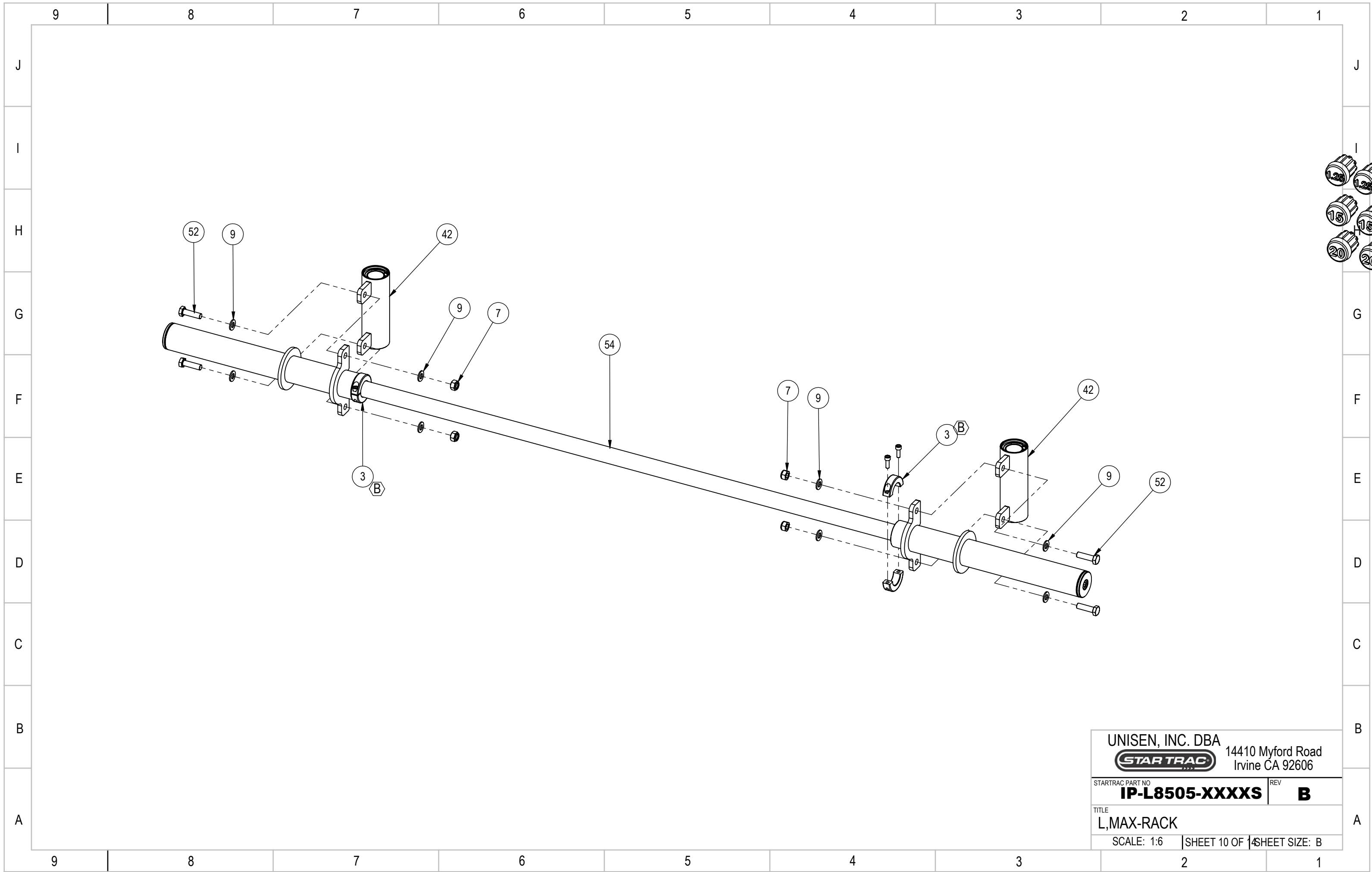


UNISEN, INC. DBA		14410 Myford Road Irvine CA 92606	
			
STARTRAC PART NO	<b>IP-L8505-XXXXS</b>		REV <b>B</b>
TITLE <b>L,MAX-RACK</b>			
SCALE: 1:10		SHEET 8 OF 14 SHEET SIZE: B	

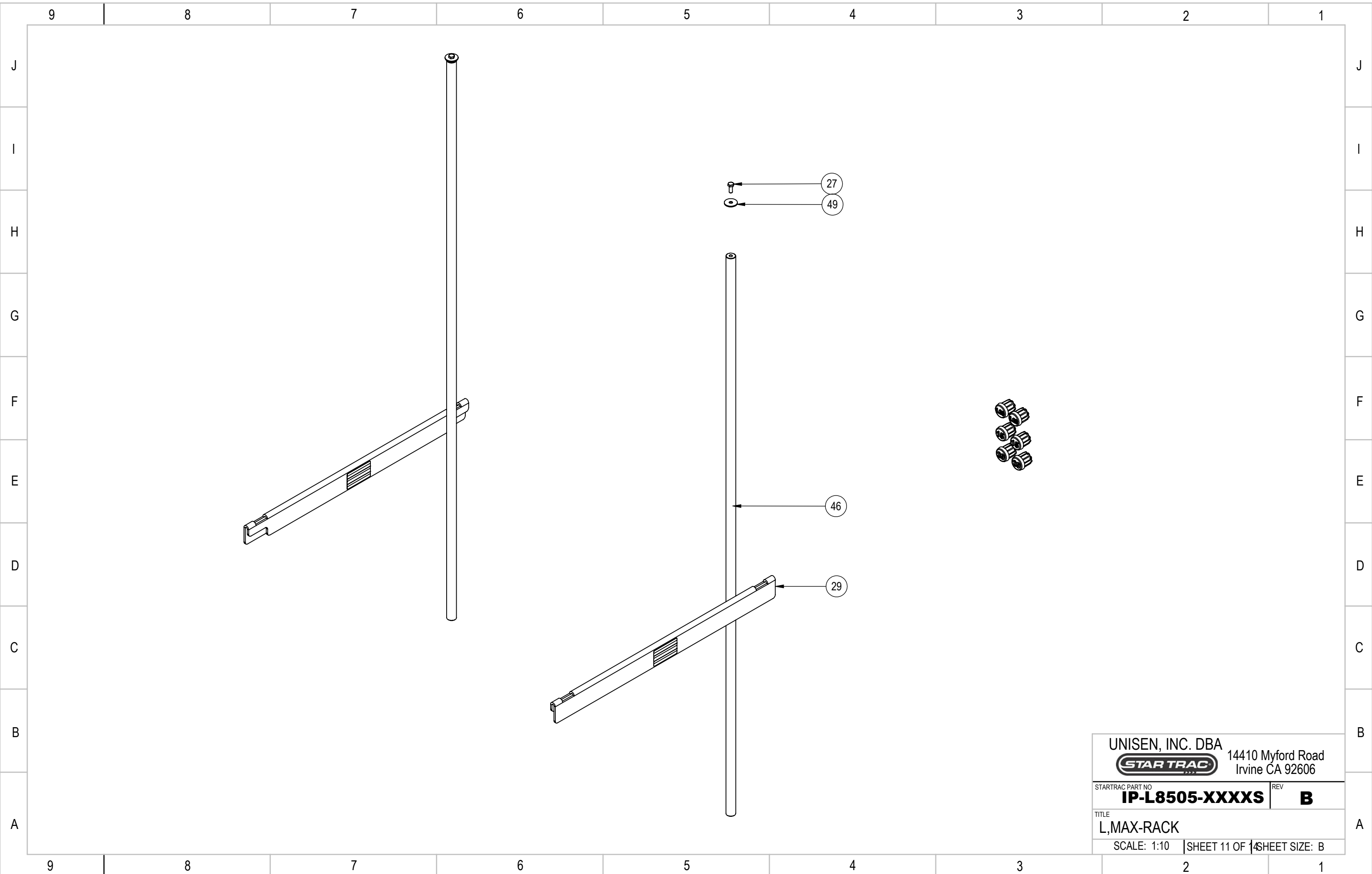




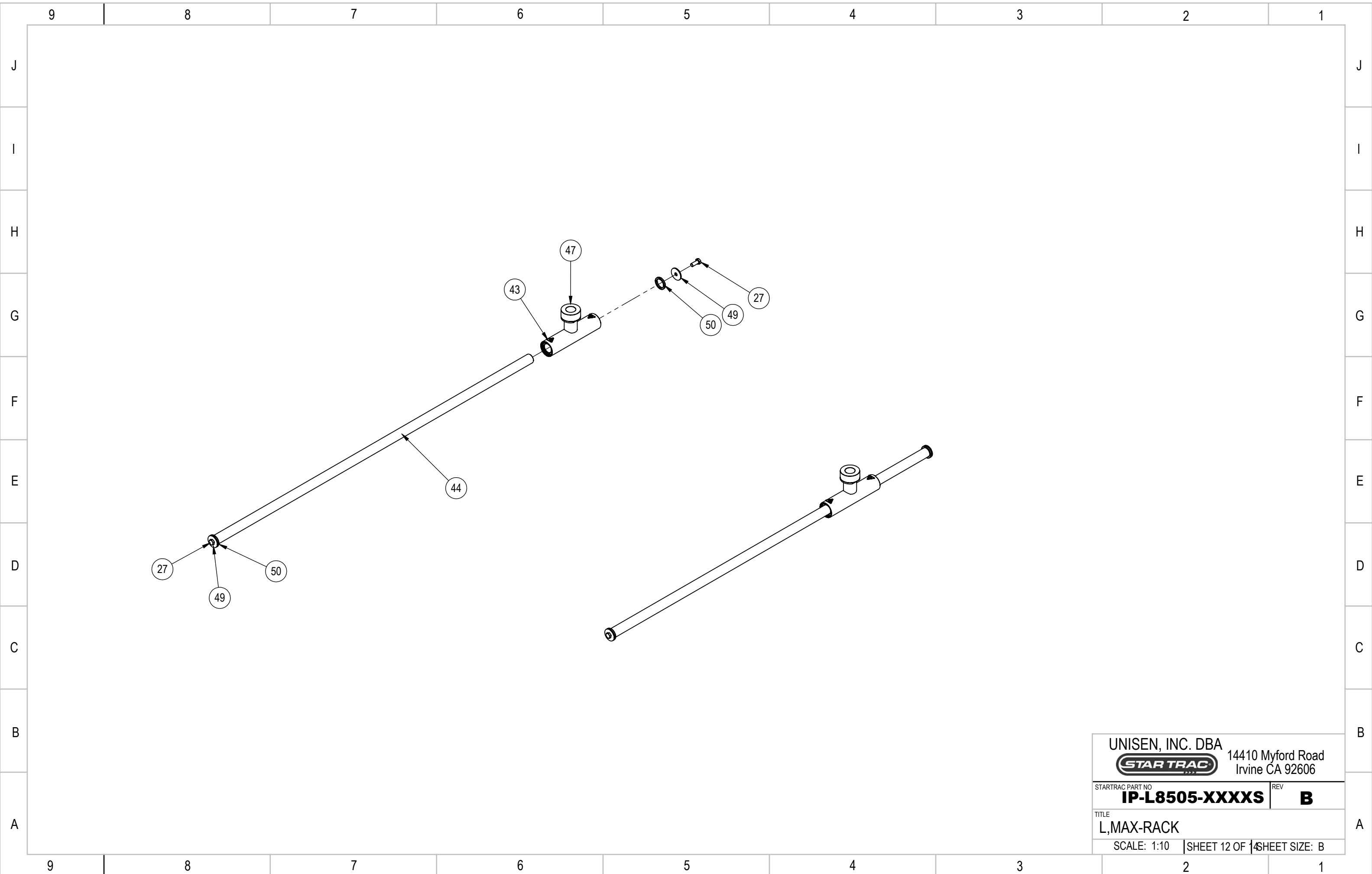
UNISEN, INC. DBA		14410 Myford Road Irvine CA 92606	
STARTRAC PART NO	<b>IP-L8505-XXXXS</b>	REV	<b>B</b>
TITLE L,MAX-RACK			
SCALE: 1:10	SHEET 9 OF 14		SHEET SIZE: B



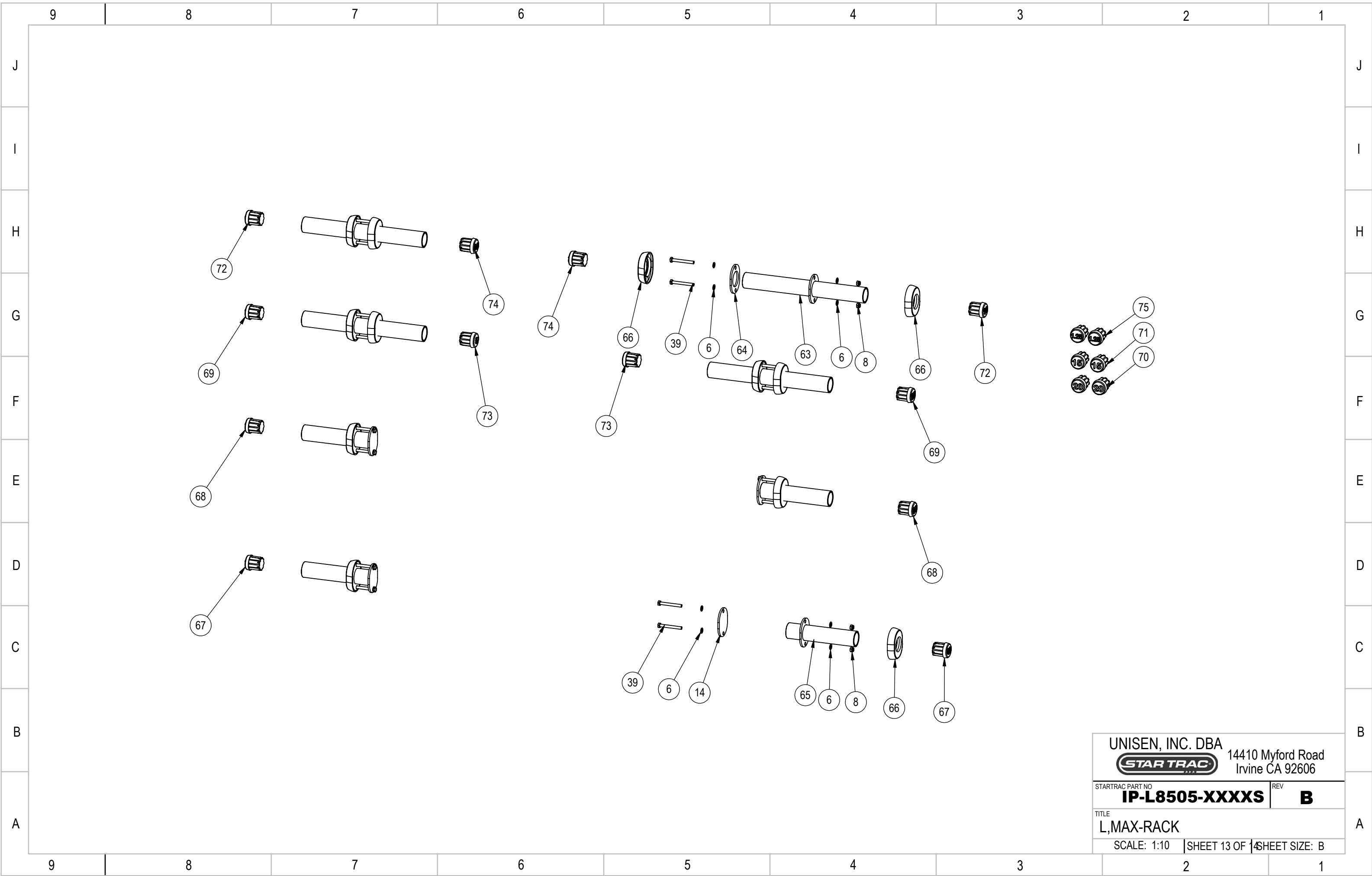
UNISEN, INC. DBA		14410 Myford Road Irvine CA 92606	
<b>STAR TRAC</b>			
STARTRAC PART NO	<b>IP-L8505-XXXXS</b>		REV <b>B</b>
TITLE <b>L,MAX-RACK</b>			
SCALE: 1:6	SHEET 10 OF 14	SHEET SIZE: B	




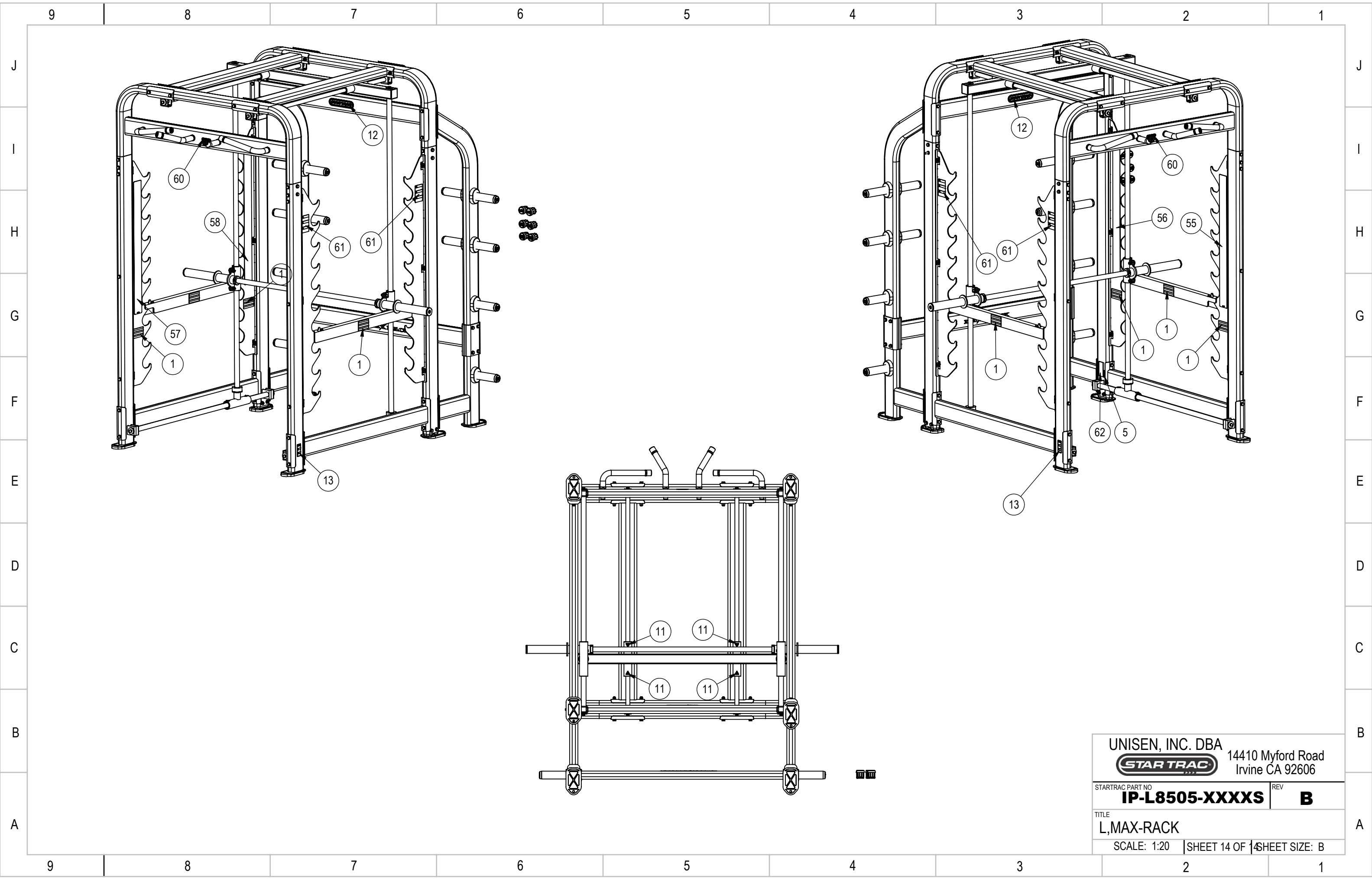
UNISEN, INC. DBA		14410 Myford Road Irvine CA 92606	
STARTRAC PART NO	<b>IP-L8505-XXXXS</b>	REV	<b>B</b>
TITLE L,MAX-RACK			
SCALE: 1:10	SHEET 11 OF 14	SHEET SIZE: B	



UNISEN, INC. DBA		14410 Myford Road Irvine CA 92606	
<b>STAR TRAC</b>			
STARTRAC PART NO	<b>IP-L8505-XXXXS</b>	REV	<b>B</b>
TITLE <b>L,MAX-RACK</b>			
SCALE: 1:10	SHEET 12 OF 14	SHEET SIZE: B	



UNISEN, INC. DBA		14410 Myford Road Irvine CA 92606	
			
STARTRAC PART NO	<b>IP-L8505-XXXXS</b>	REV	<b>B</b>
TITLE <b>L,MAX-RACK</b>			
SCALE: 1:10	SHEET 13 OF 14	SHEET SIZE: B	



UNISEN, INC. DBA		14410 Myford Road	
<b>STARTRAC</b>		Irvine CA 92606	
STARTRAC PART NO	<b>IP-L8505-XXXXS</b>		REV <b>B</b>
TITLE <b>L,MAX-RACK</b>			
SCALE: 1:20	SHEET 14 OF 14	SHEET SIZE: B	